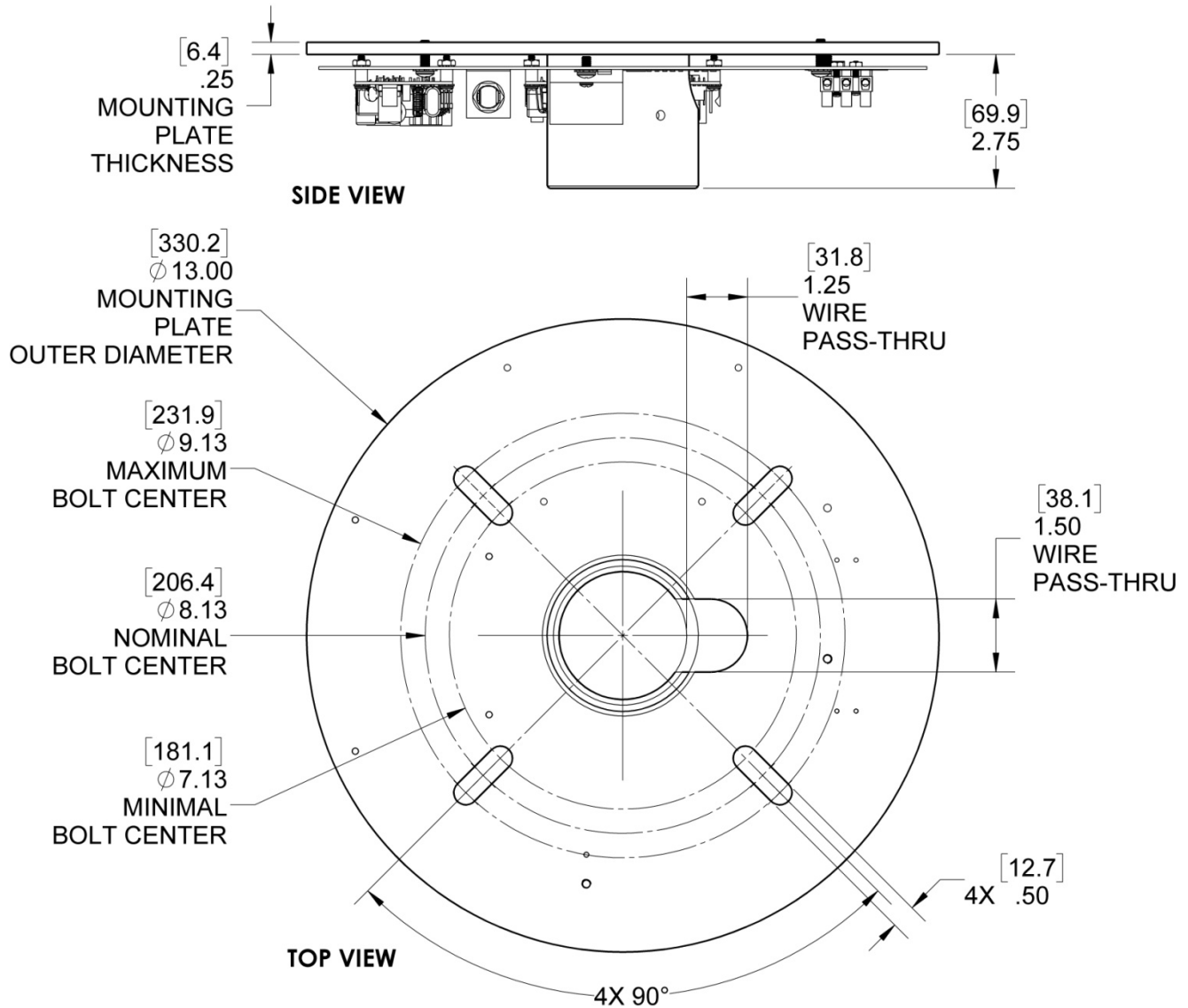


Ceiling Structure Construction and Mounting

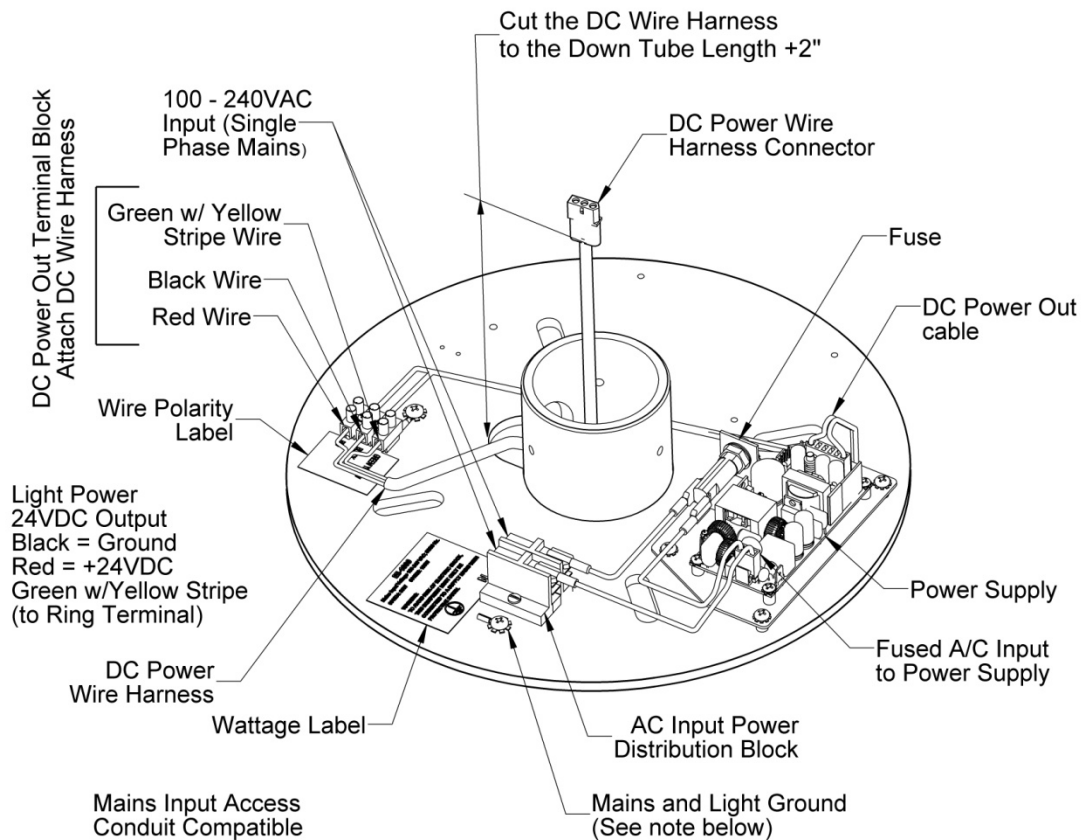
⚠ Improper fastening of the ceiling casting can cause serious injury and/or property damage.

- Mount the Ceiling casting to the ceiling structure using four $\frac{3}{8}$ " DIA Grade-8 bolts with nuts and washers as shown in Figure 3.



Mounting Dimensions for Ceiling Mount

Arm Cable Termination



Arm Cable Termination

(Note: Shown as a Single with Power Supply)

Route the DC Wire Harness through the center hub of the Ceiling Mount and then out of the Wire Pass-Thru. Using the Down Tube as a reference, measure the length of the DC Wire Harness from the Output Power Distribution Block to where the connector is 2" past the end of the Down Tube. Cut to length and remove the Down Tube. Next, connect the three wires to the DC Output Power Distribution Block – observe polarity: First connect the Green w/Yellow Stripe lead to the Mains Earth Ground \oplus terminal, then the Black cable to the Ground and the Red cable to the +24VDC terminal.

For a dual light configuration, connect the second DC wire harness to the other power supply in the same manner.

For ease of installation, install the Down Tube on the Ceiling Mount using the three (3) $\frac{1}{4}$ - $20 \times \frac{1}{2}$ " Flat Socket Head and tightening sequentially. Ensure the Wire Harness Connector(s) exceed the open end of the Down Tube and that the wires are hanging unencumbered.

⚠ Protective Earth Ground Warning, to avoid risk of electrical shock, this equipment must be only connected to supply mains with protective earth.