




Pre-Installation Guidelines


SPECIAL NOTE: Installation and repair of this equipment should be performed by a qualified mechanical contractor only. Medical Illumination International, Inc. does not warranty any damage occurring as a result of improper installation.

It is recommended that this installation manual be completely reviewed prior to installation.

Before installation, check to ensure the following minimum conditions are provided:

The structural ceiling mount is designed to support a vertical load of 300 lbs (trio) and an off-center moment of 960 ft-lbs, the solo light is significantly less. The structural mount should meet all local building codes.

 **A structural mount that does not meet these minimum conditions can cause serious injury and/or property damage.**

 **Failure to use the correct mounting hardware can cause the arm/head assembly to become unstable, causing serious injury and/or property damage.** If the ceiling mounting surface is not level, shim the ceiling casting to level the assembly.

 **Failure to level the ceiling casting may cause unwanted arm “drifting” during use.**

It is recommended that the System Two LED surgical lighting system be mounted directly over a 4-0 junction box. If this is not possible the input power supply lines should be wired in accordance with all applicable building codes.

The supply circuit line must be as follows:

120 VAC lights- 110-120 VAC 50/60 Hz, single phase, three wire, capable of supplying 525 watts @ 5 amperes.

230 VAC lights- 220-240 VAC, 50/60 Hz, single phase, three wire, capable of supplying 525 watts @ 2.5 amperes.

The power supply circuit must be in compliance with all applicable building codes.

The light head switches secondary transformer power only. It is recommended that the System Two LED Surgical Lighting System is connected to its own supply circuit with integral circuit breaker. The circuit breaker will act as the supply main disconnect switch.

The MAINS ground wire, which is green with a yellow stripe and has a ring-type terminal at the end, should be securely fastened to the ceiling casting with a screw and lock washer, as shown in Figure: 6 Ceiling Mount (see Common Ground).

 **Failure to provide a circuit meeting these minimum standards or complying with local building codes can cause a shock hazard.**

Check the length of the ceiling rod supplied to make sure that it is the proper length to install and operate the light without interference or over reach. (See ceiling Rod Calculation on pages 14-16).

Pre-Installation Guidelines

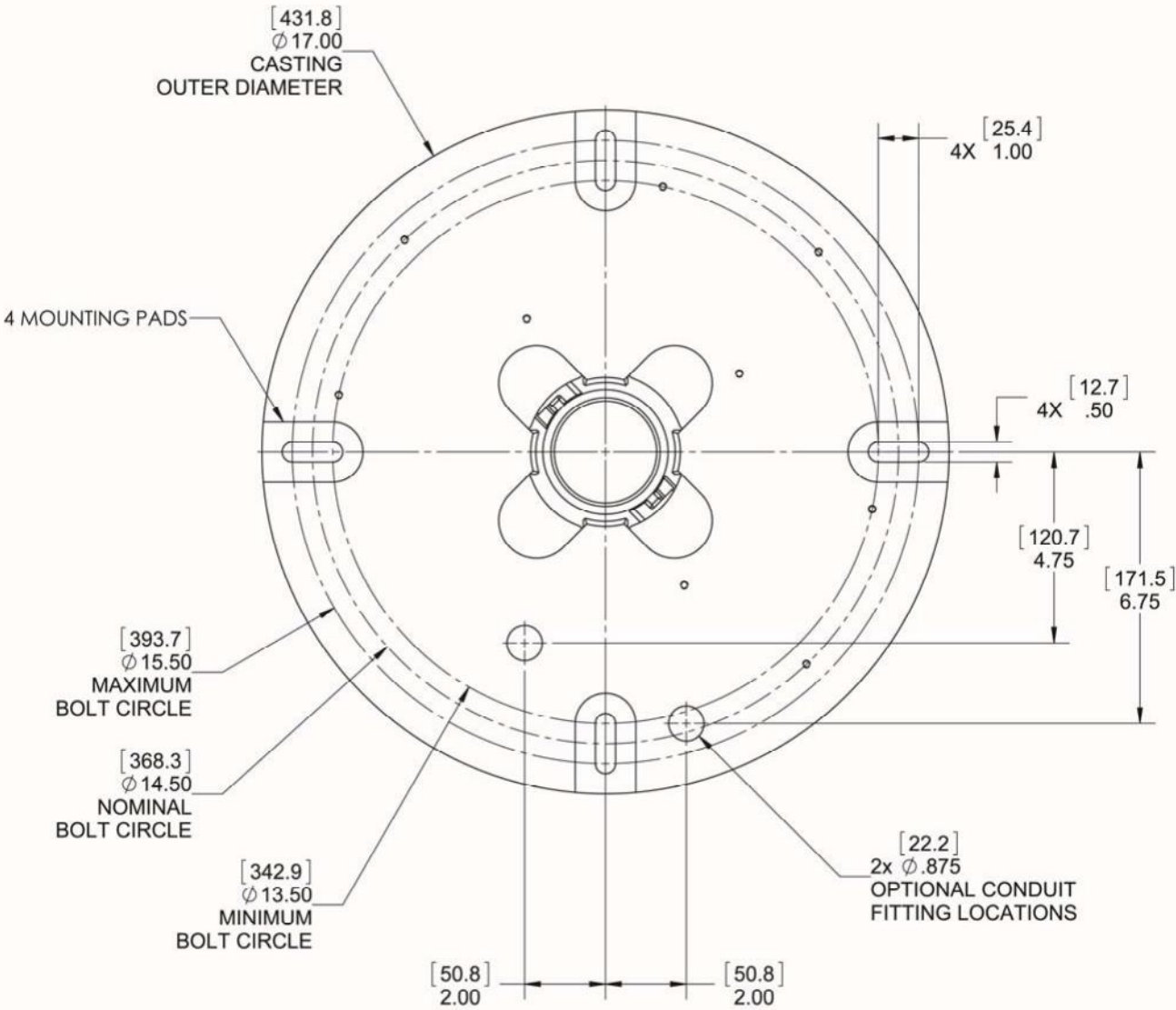


Figure 1: Mounting Dimensions for Ceiling Casting
 Top View
[Dimensions with brackets are in millimeters]