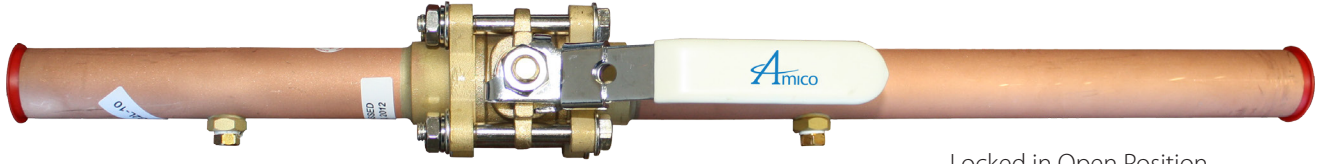
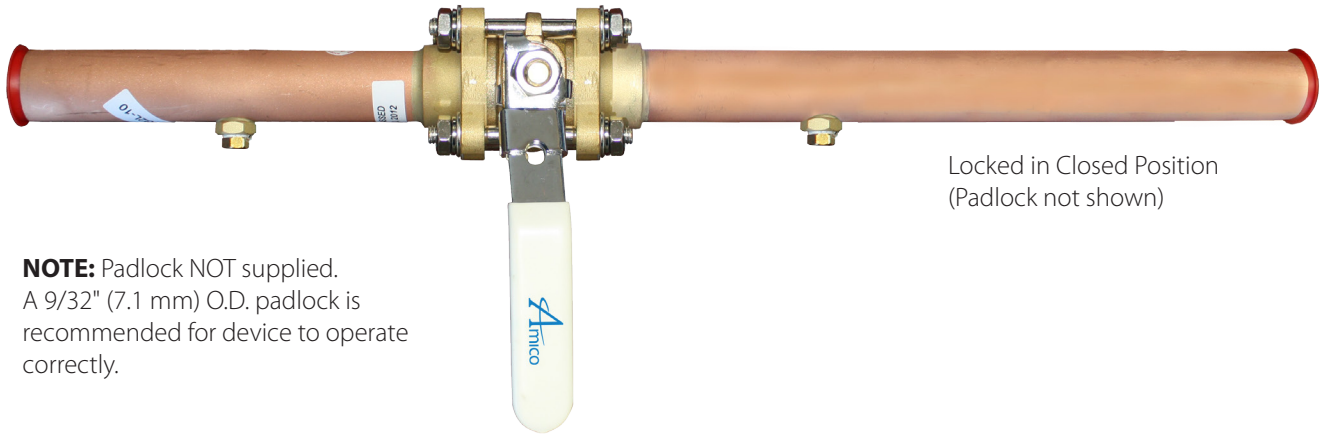


Locking Device for Isolation Valve

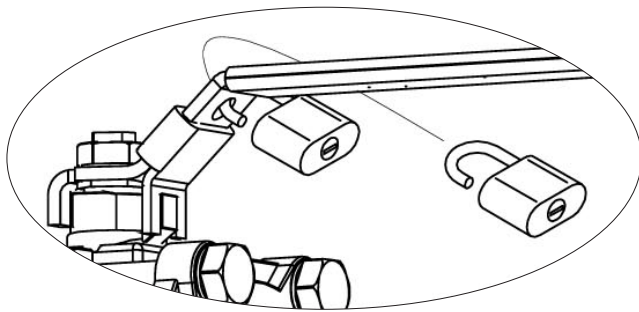


Locked in Open Position
(Padlock not shown)



Locked in Closed Position
(Padlock not shown)

NOTE: Padlock NOT supplied.
A 9/32" (7.1 mm) O.D. padlock is
recommended for device to operate
correctly.



Valve locking handle shown

General Specifications:

Valve handles shall be made with nickel plated steel, available in locking or non-locking for sizes 1/2" to 4" (12.7 mm to 101.6 mm). Locking handles can be ordered as separate items or as complete assemblies on ball valves.

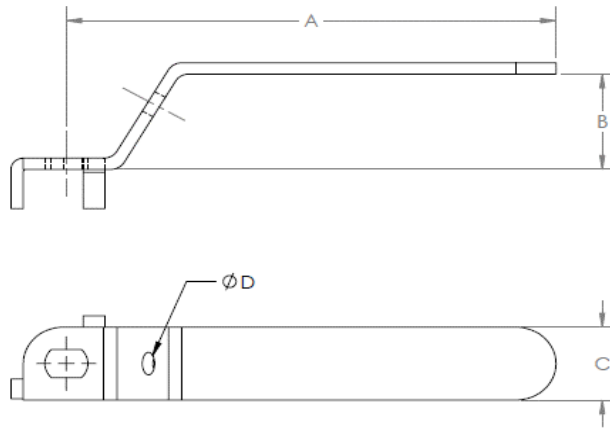
Valve handles can be replaced without disassembly of the ball valve, by only removing the stem nut.

Project

Technical Specifications

NOTE:

Padlock is NOT supplied.
Dimensions in table below.



Dimension Specifications

Model Numbers	Pipe Size inch (mm)	A inch (mm)	B inch (mm)	C inch (mm)	D inch (mm)
V-X-HNDL-LOK-USV-05	1/2 (13)	4.09 (103)	1.06 (27)	0.71 (18)	0.3 (8)
V-X-HNDL-LOK-USV-07	3/4 (19)	4.92 (125)	1.3 (33)	0.79 (20)	0.3 (8)
V-X-HNDL-LOK-USV-10	1 (25)	5.47 (139)	1.3 (33)	0.87 (22)	0.3 (8)
V-X-HNDL-LOK-USV-12	1-1/4 (32)	5.47 (139)	1.3 (33)	0.87 (22)	0.3 (8)
V-X-HNDL-LOK-USV-15	1-1/2 (38)	6.26 (159)	1.34 (34)	1.02 (26)	0.3 (8)
V-X-HNDL-LOK-USV-20	2 (51)	6.26 (159)	1.34 (34)	1.02 (26)	0.3 (8)
V-X-HNDL-LOK-USV-25	2-1/2 (64)	9.02 (229)	1.69 (43)	1.46 (37)	0.3 (8)
V-X-HNDL-LOK-USV-30	3 (76)	9.02 (229)	1.69 (43)	1.46 (37)	0.3 (8)
V-X-HNDL-LOK-USV-40	4 (102)	11.69 (297)	2.48 (63)	1.52 (39)	0.3 (8)

Non-Locking Handles Also Available

Model Numbers	Pipe Size
V-X-HNDL-USV-05	1/2"
V-X-HNDL-USV-07	3/4"
V-X-HNDL-USV-10	1"
V-X-HNDL-USV-12	1-1/4"
V-X-HNDL-USV-15	1-1/2"
V-X-HNDL-USV-20	2"
V-X-HNDL-USV-2530	2-1/2" and 3"
V-X-HNDL-USV-40	4"